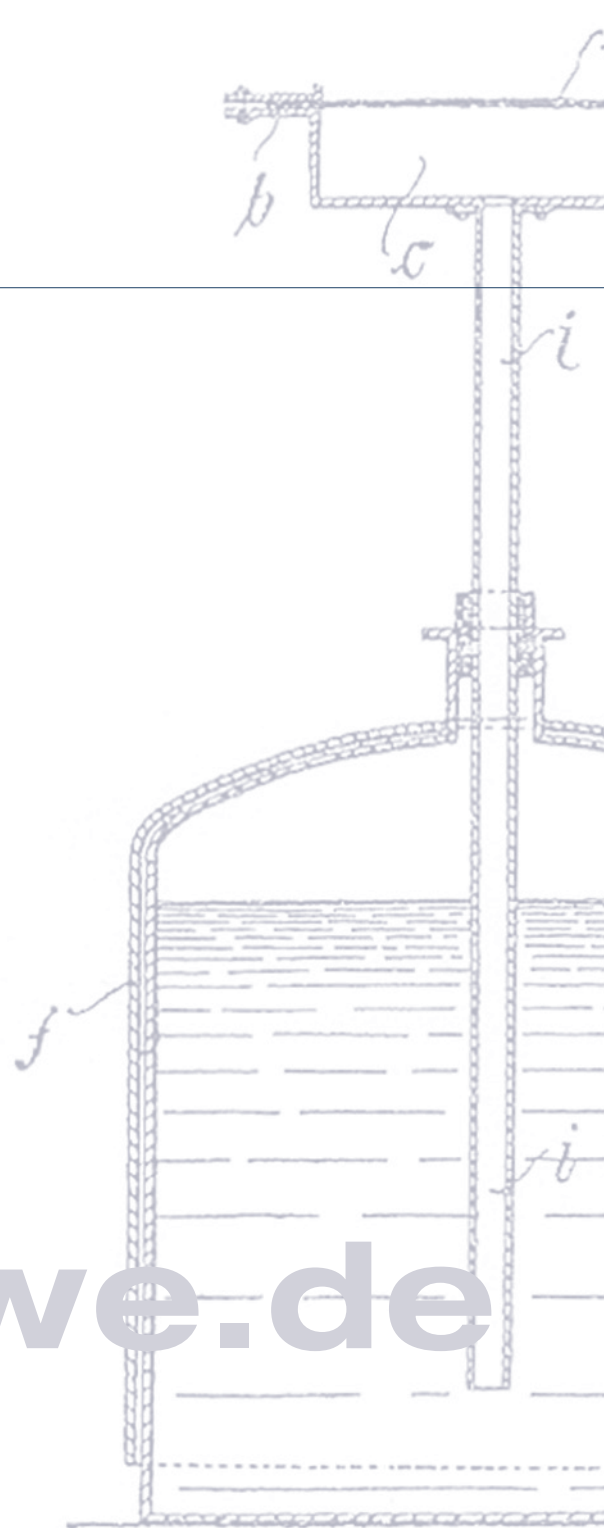


GLAWE · DELFS · MOLL
INTELLECTUAL PROPERTY LAW

Intellectual Property since 1876

www.glawe.de

Hamburg · Munich



The Firm

The firm includes patent attorneys and lawyers and specializes in the protection of intellectual property. Founded more than 130 years ago, it has comprehensive expertise and many professional contacts. All technical subject areas are represented.

Specialization in the protection of intellectual property

The firm deals with protection for:

Technical innovations through

- Patents
- Utility models
- Supplementary protection certificates
- Semiconductor topographies
- Plant variety rights
- Competition law

Commercial markings through

- Trademarks
- Rights to business names
- Rights to work titles
- Indications of geographical origin
- Rights to personal names

Designs through

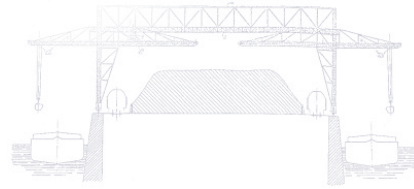
- Design patents
- Copyrights
- Competition law

Extensive representation in Germany and abroad

The firm handles all aspects of intellectual property protection. It provides representation in all national, European and international application procedures and also before German courts. For representation abroad, the firm is in constant contact with a long-established network of colleagues around the world.

Individual handling by partners

Each individual client's cases are looked after by one of the partners. If required, colleagues within the firm are consulted. If cross-discipline issues arise, the firm draws on the broad range of qualifications of its partners (physics, chemistry, life sciences, mechanical engineering, electrical engineering and law).

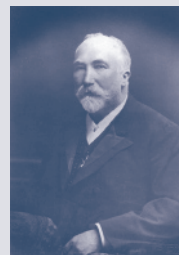


Experience since 1876

The firm has seen a continuous succession of generations since its foundation and has consequently built up a considerable wealth of experience. This is to the benefit of the clients, of which many can look back on a successful collaboration with the firm for several decades.

Partners in the firm have won landmark decisions, for example Federal High Court Judgements such as "hip joint prosthesis" (patent law), "Rolls Royce" (unfair exploitation of reputation) and "vacuum pumps" (anti-competitive imitation), and the limitation of the "Edinburgh" patent before the European Patent Office.

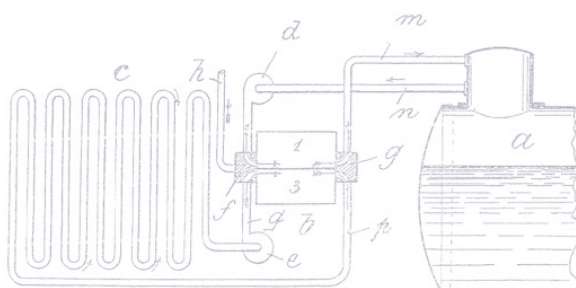
History



The firm was founded in Hamburg in 1876 by Alexander Specht (pictured). It soon became known beyond Hamburg. In 1878 it filed its first application for a German Imperial Patent on behalf of a Canadian client. The following year, the firm was entered in the Commercial Register of Hamburg District Court under the name "Specht, Ziese & Co".

Since 1930, the firm has operated a second branch close to the Patent Office, initially in Berlin, from 1952 in Munich.

Since 1970, the firm has been known as "GLAWE DELFS MOLL". At present it consists of nine patent attorneys and one lawyer.



The Partners



Dr. rer. nat. **Walter Moll** (Dipl.-Phys.), born 1936, completed his studies in physics at Munich Technical University. A doctorate in the field of nuclear physics followed. In 1968, he qualified as a patent attorney and joined the firm as a partner. In 2009, he switched to an "of counsel" status.

(muc@glawe.de)



Dr. phil. habil. **Heinrich Niebuhr** (Dipl.-Phys.), born 1940, studied physics at Hamburg and Zurich Universities. This was followed by a doctorate in Zurich, post-doctoral activity in the USA and qualification as a university lecturer at Marburg University, all in his special field of solid-state physics. After training to be a patent attorney, he joined the Hamburg office as a partner in 1979. He deals with all areas of intellectual property protection. His technical specialization is physics, in particular the fields of solid-state physics, optics and laser technology.

(niebuhr@glawe.de)



Dr. rer. nat. **Ulrich Glawe** (Dipl.-Phys.), born 1946, studied physics at Hamburg and Munich Universities and completed his doctorate in the field of elementary particle physics at DESY in Hamburg. Following his training as a patent attorney, he joined the Munich office as a partner in 1982. From there, he deals mainly with patent and utility model law, semi-conductor topographies and trademark law. His major technical areas are electronics, semiconductor technology and solid-state physics.

(glawe@glawe.de)



Bernhard Merkau (Dipl.-Phys.), born 1957, studied physics at Paderborn University. This was followed by a period as an assistant in the area of solid-state physics. After training as a patent attorney, he joined the Munich office as a partner in 1989 and deals primarily with patent and utility model law, semiconductor topographies and trademark law. His major technical areas are electronics, semiconductor technology, solid-state physics and plastics technology.

(merkau@glawe.de)



Dr. rer. nat. **Christof Keussen** (Dipl.-Chem.), born 1962, studied chemistry at Kiel University, completed his doctorate there in the area of microwave spectroscopy and has been a partner in the Hamburg office since qualifying as a patent attorney in 1994. He is active mainly in patent law. Representation before the European Patent Office and in patent disputes forming one of his key roles. He is also responsible for supplementary protection certificates. Trademark law is another major area of activity. Since 2000, he has been serving on the Executive Board of the German Patent Attorneys' Bar Association (Patentanwaltskammer), where, now as Vice-President and Chairman of the department for intellectual property protection, he is much in demand as a partner of the Federal Ministry of Justice and of international authorities in legislative procedures. His major technical areas are chemistry, pharmacy and biotechnology.

(keussen@glawe.de)



Dr.-Ing. **Axel Riesenberg**, born 1965, studied electrical engineering at Karlsruhe Technical University and completed his doctorate there in the field of medical engineering. Following training as a patent attorney, he qualified as a patent attorney in 2000 and joined the Hamburg office as a partner. His main areas of activity are patent and utility model law. In this area of law, he is also involved in a committee of the German Patent Attorneys' Bar Association (Patentanwaltskammer). He also deals with matters of trademark law and with the protection of software and databases. His main technical areas are electronics, medical engineering and aircraft technology.

(riesenberg@glawe.de)



Stephan Russlies (Dipl.-Phys.), born 1969, studied physics and law at Braunschweig Technical University and Hamburg University. Since qualifying as an attorney-at-law and joining as a partner in January 2001, he has, from the Hamburg office, been dealing mainly with litigation concerning infringement of intellectual property rights. Other main areas of activity include copyright and competition law, where Internet-related cases in particular are of increasing importance.

(russlies@glawe.de)



Dr. rer. nat. **Thomas Westphal** (Dipl.-Biol.), born 1970, studied biology at Lomonosov Moscow State University. A doctorate and post-doctoral activity in the field of genetics at Halle University followed. Following training as a patent attorney, he qualified as a patent attorney in 2005 and joined the Hamburg office as a partner in January 2006. His main areas of activity are patent and utility model law and trademark law. His main technical areas are biology, biotechnology and pharmacy.

(westphal@glawe.de)



Dr. rer. nat. **Enno Töpken** (Dipl.-Chem.), born 1974, studied chemistry at Göttingen University and completed his doctorate there in the field of organic synthesis on solid support. Following his training to be a patent attorney, he joined the firm as a partner in 2006. From Munich, he deals mainly with patent and trademark law. His technical specialization is chemistry, semiconductors and mechanical engineering.

(toepken@glawe.de)



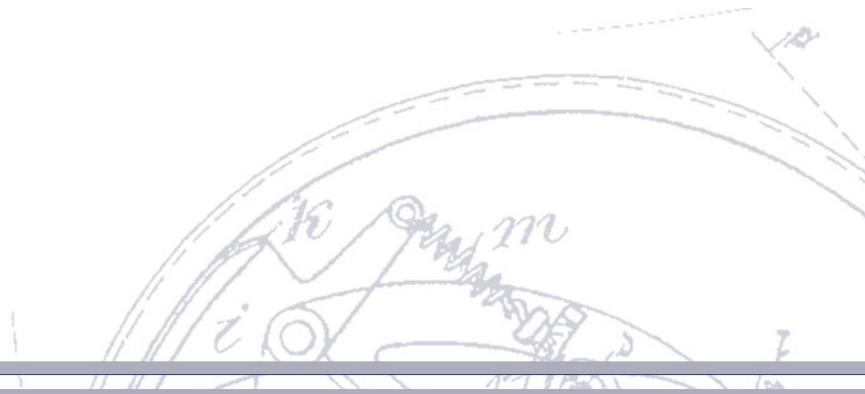
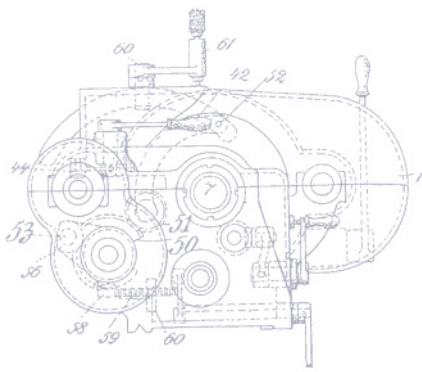
Dr. phil. **Ralf D. Kirsch** (Dipl.-Biol.), born 1971, studied biology at the University of Konstanz. Following his Ph.D. at the University of Cambridge, UK, he did a 2-year postdoc at the Max-Delbrueck-Center for Molecular Medicine in Berlin in immunology. After his training as a patent attorney, he qualified as a patent attorney in 2006 and joined the Hamburg office as a partner. His main areas of activity are patent and utility model law. His main technical areas are biology, biotechnology and pharmacy.

(kirsch@glawe.de)



Dr. rer. nat. Dr. jur. **Philipp Harlfinger** (Dipl.-Phys.), born 1974, studied physics and law at the universities of Marburg and Kiel. He completed doctoral theses in law on licence agreements under European antitrust law and in physics on the analysis of time series. After qualifying as a German patent attorney he joined the Hamburg office as a partner in 2007. Apart from patent law, utility model law and trademark law he concentrates on licence agreements. He is working mainly in the technical areas of mechanical engineering and process engineering.

(harlfinger@glawe.de)



GLAWE · DELFS · MOLL
INTELLECTUAL PROPERTY LAW

Hamburg

P.O. Box 13 03 91
D-20103 Hamburg

Rothenbaumchaussee 58
D-20148 Hamburg

Tel.: +49-40-41 42 91-0
Fax: +49-40-41 42 91-66
Email: mail@glawe.de

Munich

P.O. Box 26 01 62
D-80058 Munich

Liebherrstr. 20
D-80538 Munich

Tel.: +49-89-22 46 65
Fax: +49-89-22 39 38
Email: muc@glawe.de